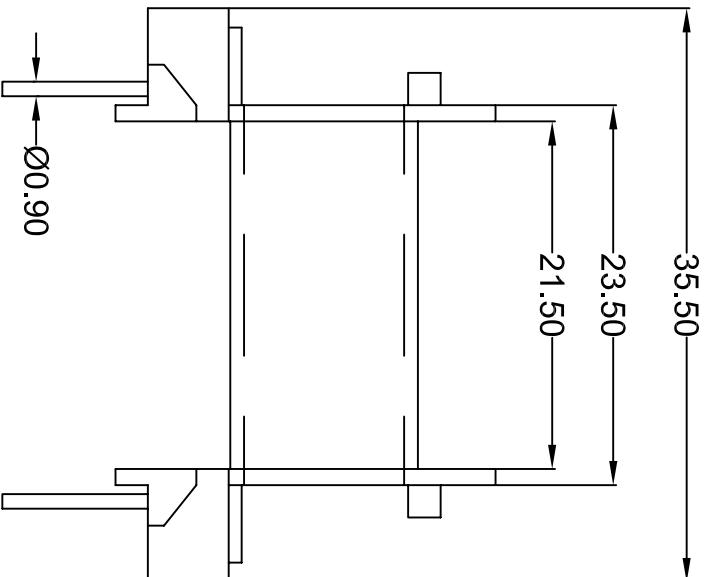
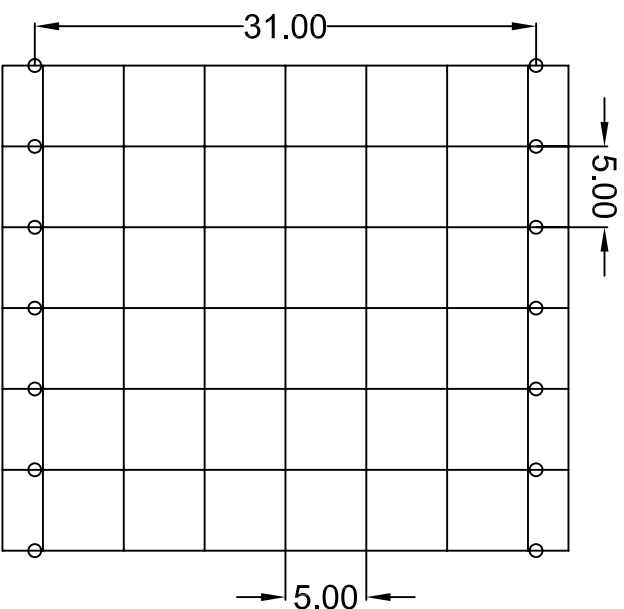


ELEVATION



R.H. SIDE VIEW



PIN PLACEMENT

ALL DIMENSIONS ARE MENTIONED IN "mm" UNLESS OTHERWISE SPECIFIED
General Tolerance mentioned below

0.50 to 3.0	3.0 to 6.0	6.0 to 30.0	30.0 to 120.0	120.0 to 400.0
±0.10	±0.10	±0.20	±0.30	±0.50

RAW MATERIAL :
 1. NYLON 6/66 G.F. 30% NON F.R.
 2. NYLON 6/66 G.F. 30% F.R.
 Make: Dupont, BASF, Lanxess
 PIN MATERIAL :
 1. CCS, COPPER, PB
 (as per customer requirement)

HK ELECTRONICS INDIA

ITEM DESCRIPTION : BOBBIN EC 3510 HORIZONTAL 14 PINS

SCALE : NOT TO SCALE	PROJECTION 	DATE : 13-12-2013	REMARKS:
PREPARED BY: Sudhir Kumar	APPROVED BY: Hemlata Kumari	DRAWING NO. : HK/EC3510-H-14P	